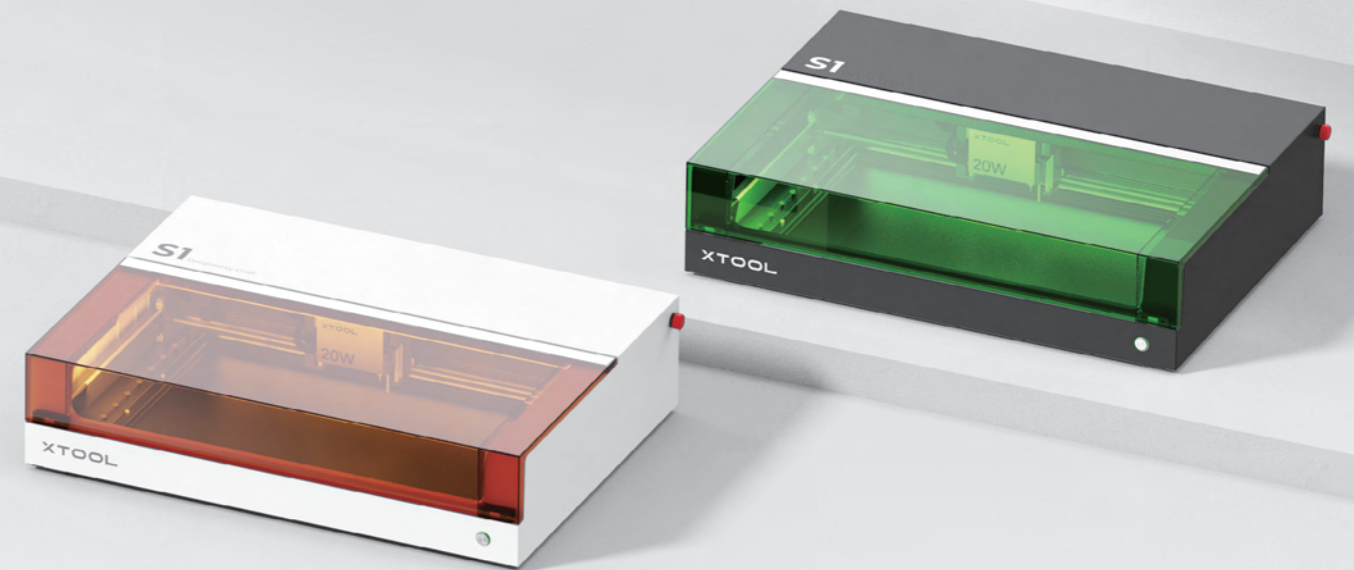


XTOOL | S1

Quick Start Guide

Kurzanleitung | Guía de inicio rápido | Guide de démarrage rapide |
Guida rapida | Korte handleiding | Manual de referência rápida | クイック
ガイド | 빠른 시작 가이드 | 快速入門指南 | 快速使用指南

XTOOL



01

Multi-language versions and more information

To find user guides in multiple languages and more help, please visit support.xtool.com/article/1106 or scan the QR code.

Mehrsprachige Versionen und weitere Informationen

Falls Sie Benutzerhandbücher in mehreren Sprachen suchen und weitere Hilfe benötigen, besuchen Sie bitte support.xtool.com/article/1106 oder scannen Sie den QR-Code.

Versiones multilingües y más información

Para encontrar guías de usuario en varios idiomas y más ayuda, visite support.xtool.com/article/1106 o escanee el código QR.

Versions multilingues et informations complémentaires

Pour trouver des guides de l'utilisateur dans plusieurs langues et accéder à une assistance supplémentaire, veuillez consulter support.xtool.com/article/1106 ou scanner le code QR.

Versioni multilingue e ulteriori informazioni

Per manuali dell'utente in altre lingue o ulteriore assistenza, visitare support.xtool.com/article/1106 o scansionare il codice QR.

Meertalige versies en meer informatie

Ga voor gebruikershandleidingen in meerdere talen en meer hulp naar support.xtool.com/article/1106 of scan de QR-code.

Versões multi-idiomas e mais informações

Para encontrar manuais do utilizador em idiomas múltiplos e mais ajuda, visite, se faz o favor, support.xtool.com/article/1106 ou leia o código QR.

複数言語バージョンと詳細情報

複数言語のユーザーガイドと詳細なヘルプについては、support.xtool.com/article/1106 にアクセスするか、QRコードをスキャンしてください。

다중 언어 버전 및 추가 정보

다중 언어로 된 사용 설명서와 추가 도움말을 찾으려면 support.xtool.com/article/1106 페이지를 방문하거나 QR 코드를 스캔하십시오.

多語言版本及更多資訊

如需取得其他語言版本的用戶指南或幫助資訊，請前往 support.xtool.com/article/1106 或掃描 QR code。

多语言版本及更多信息

如需获取其他语言版本的用户指南或更多帮助信息，请访问 support.xtool.com/article/1106 或扫描二维码。你也可以访问 yuque.com/makeblock-help-center-zh/xtool-s1 查看在线帮助。

support.xtool.com/article/1106



PDF DF DF DF

XTOOL

How to Replace the Motor of Slide Extension

www.xtool.com

02



xTool S1 provides two color options. This quick start guide uses the black-green version for illustration.

List of items ----- 01

Meet your xTool S1 ----- 01

Preparations ----- 02

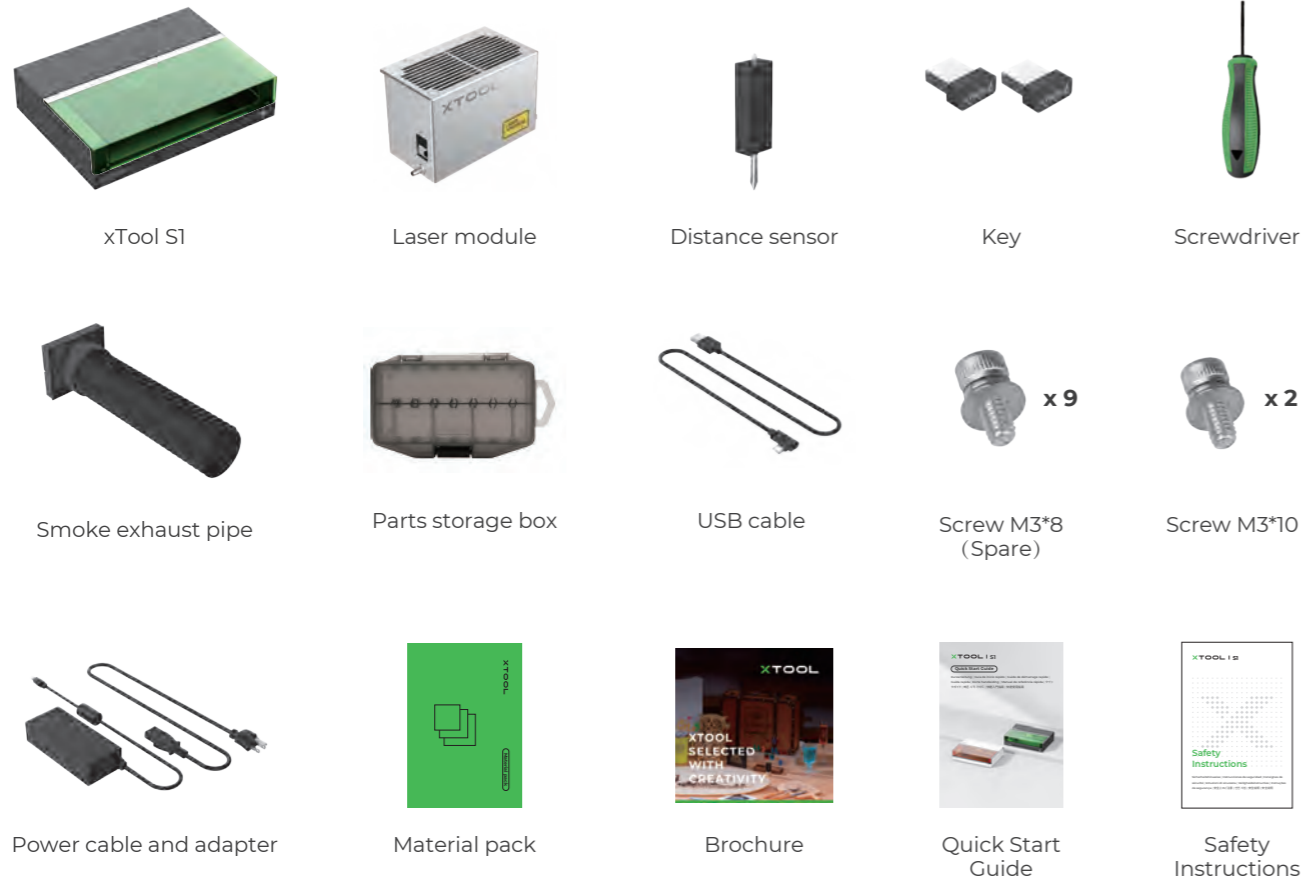
Use your xTool S1 ----- 07

Example projects ----- 08

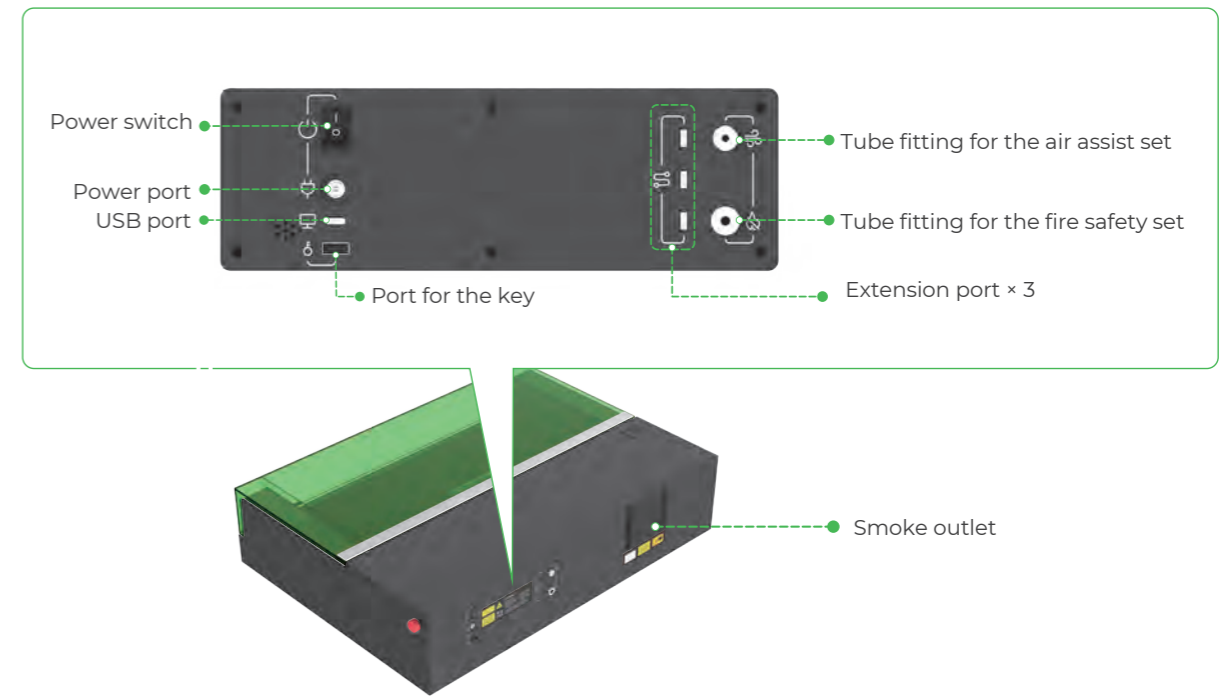
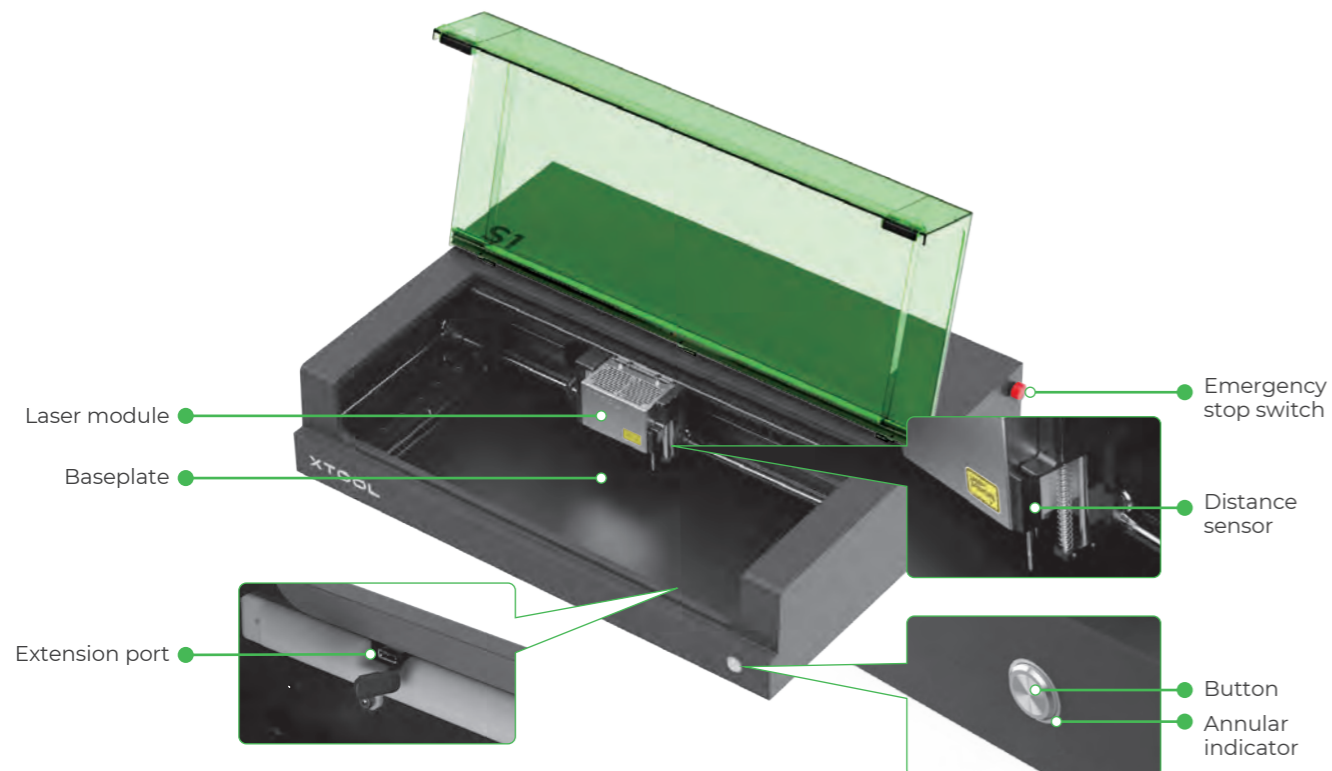
Understand the annular indicator ----- 08

Knowledge about parts and accessories ----- 09

List of items



Meet your xTool S1

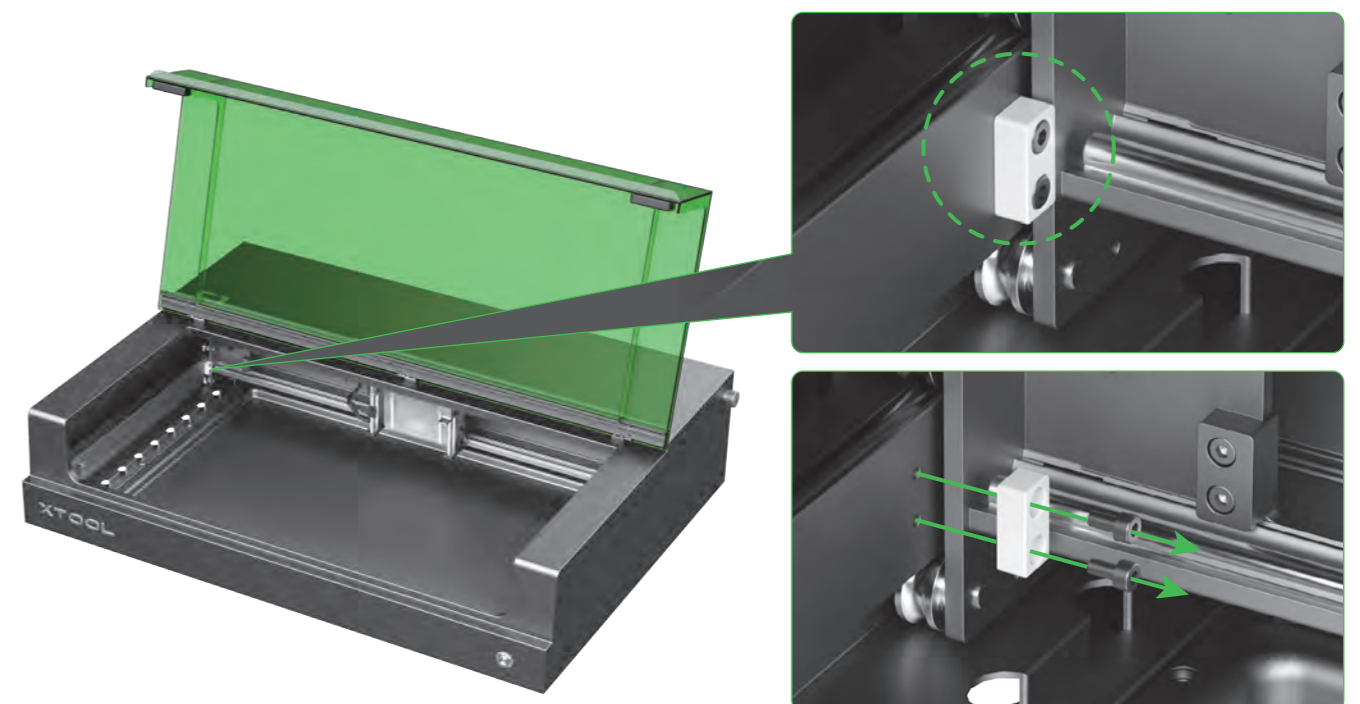


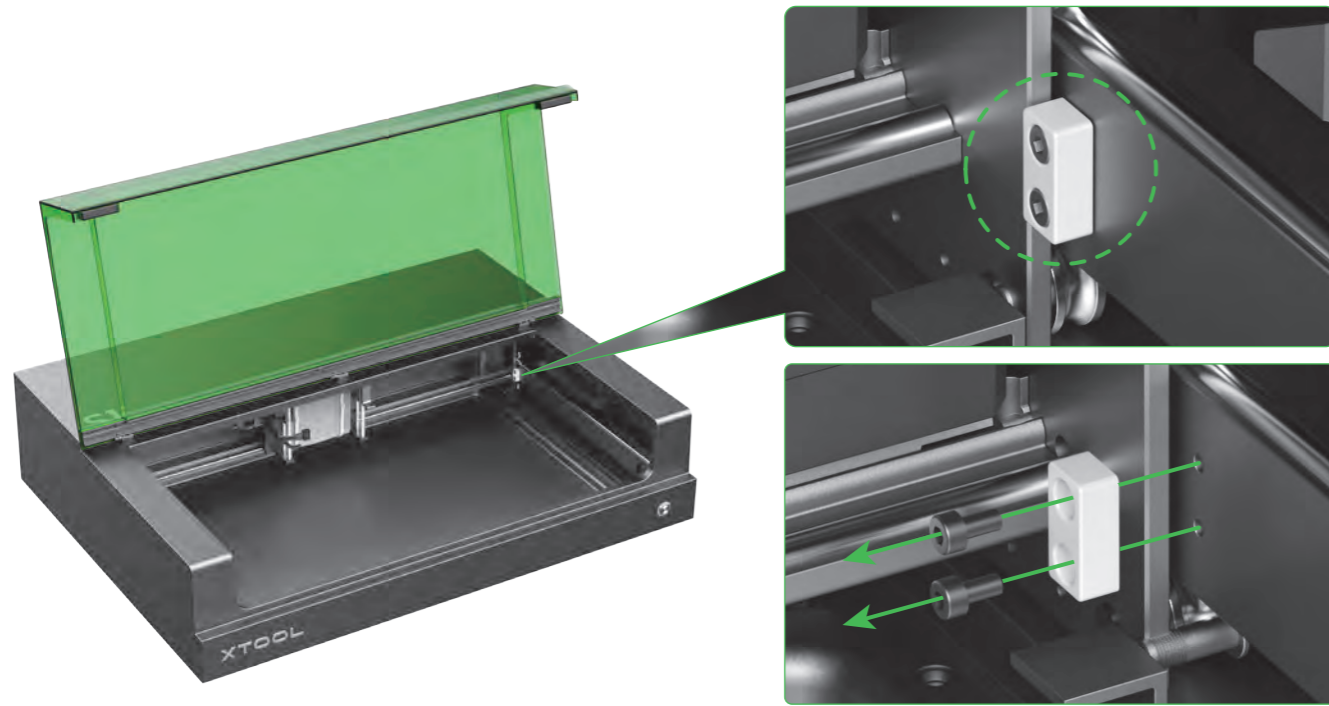
Preparations

Get the following tools ready:

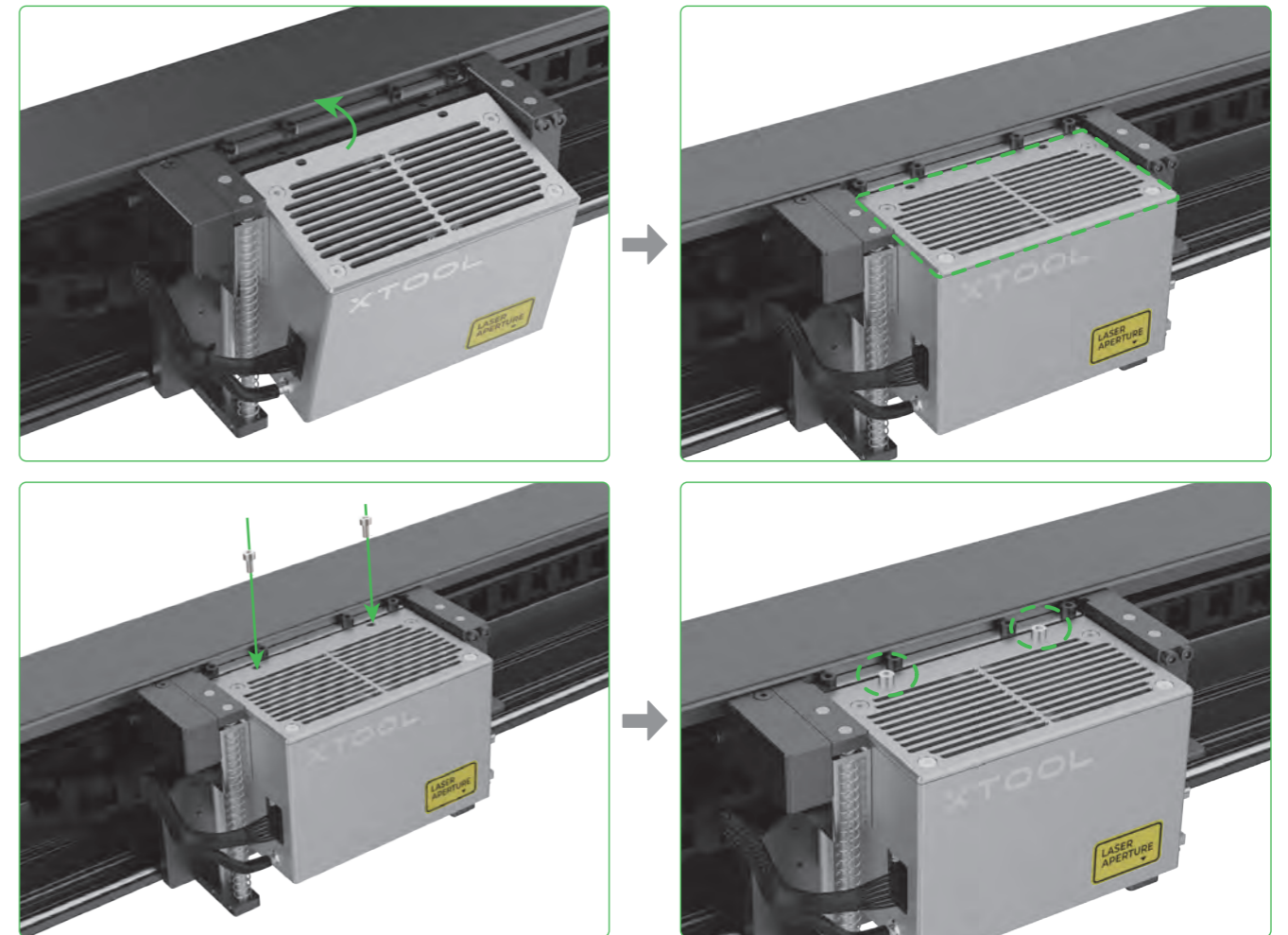
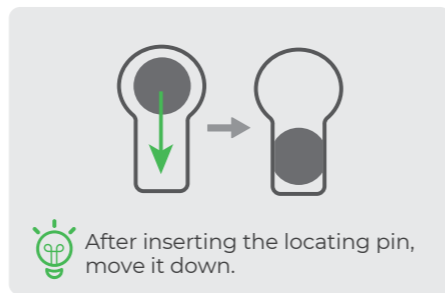
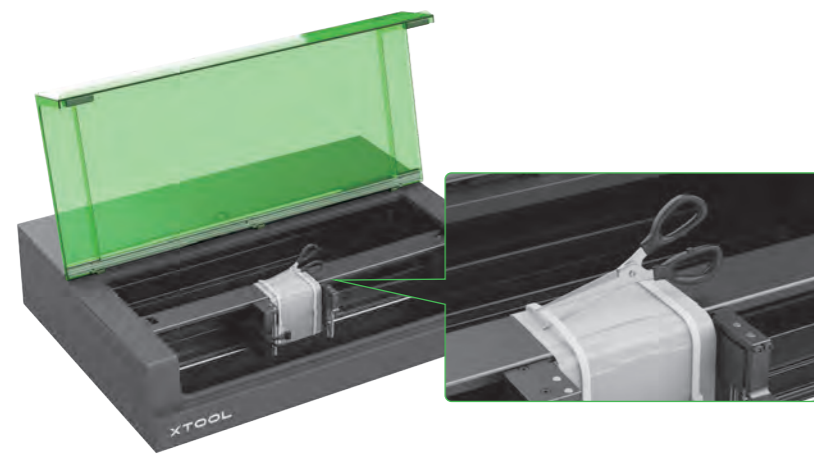


1 Remove the blocks that fix the x-axis guide rail

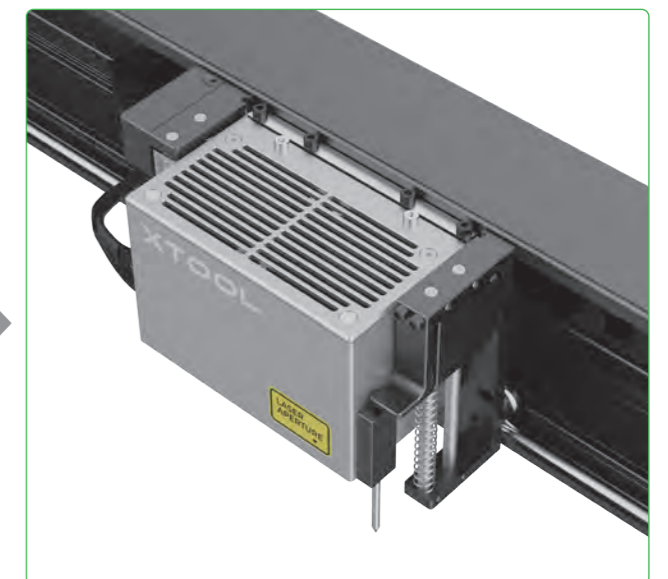
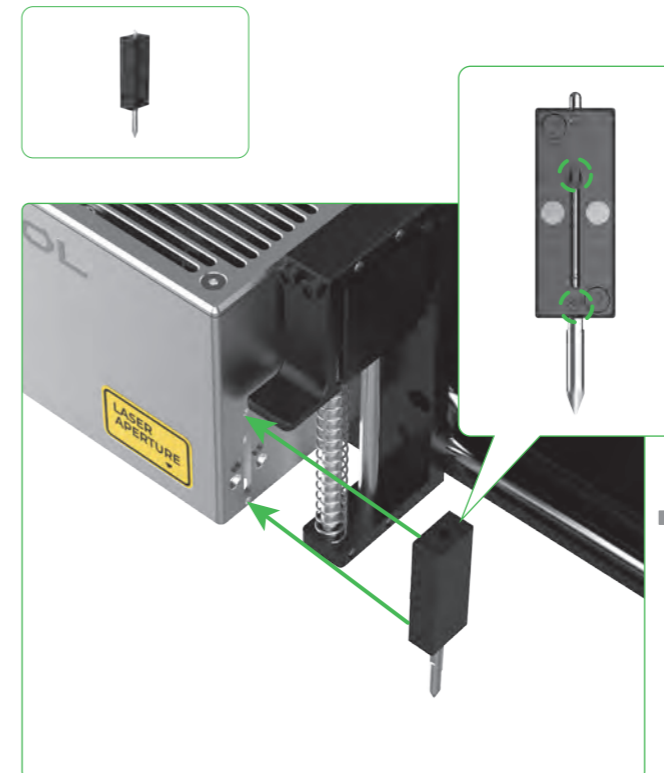




2 Install the laser module



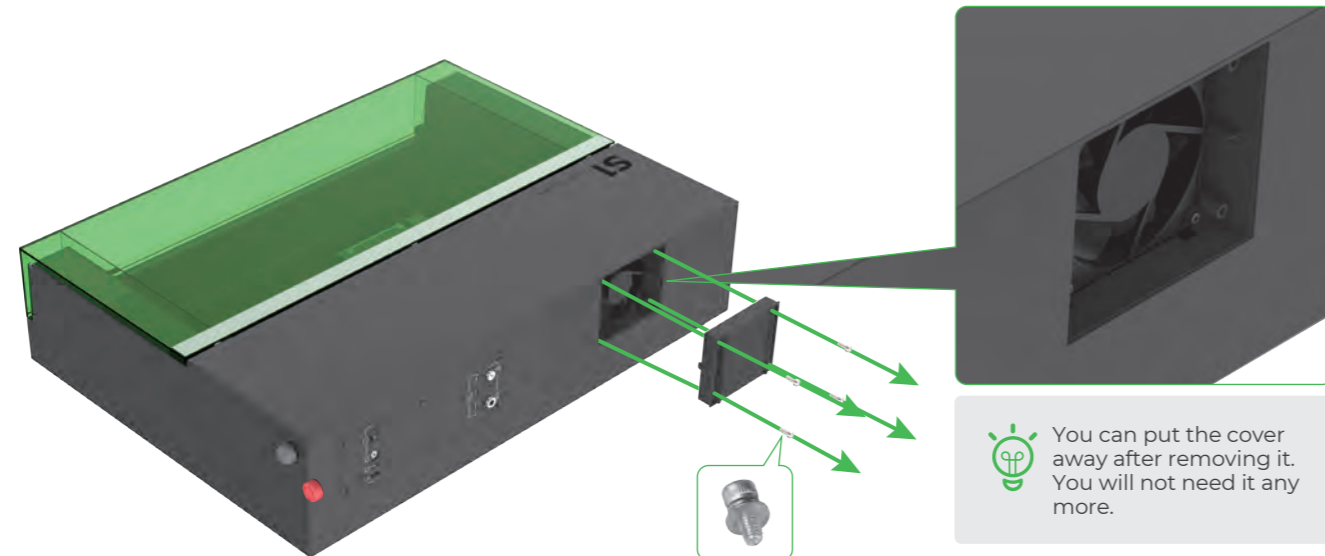
3 Install the distance sensor



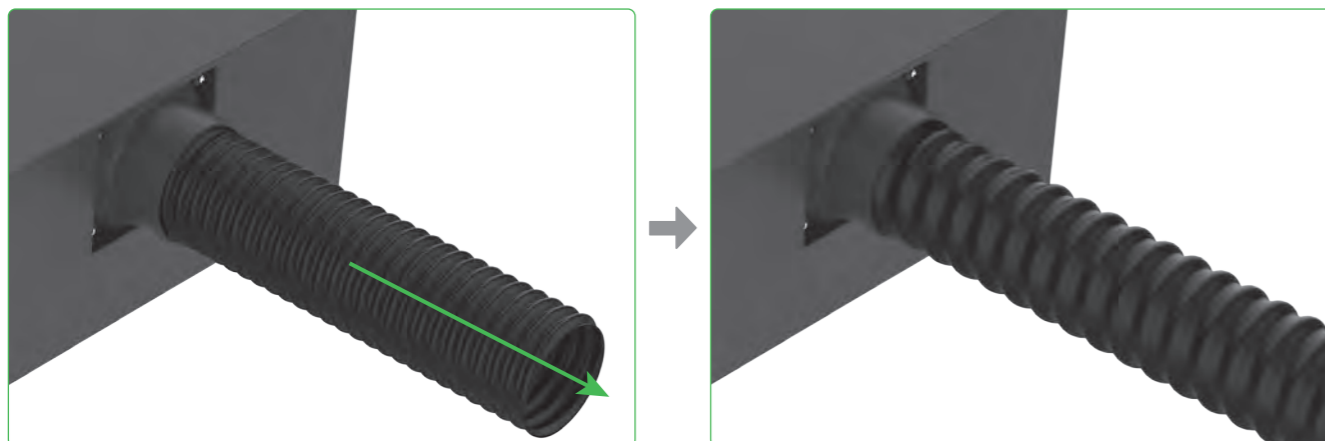
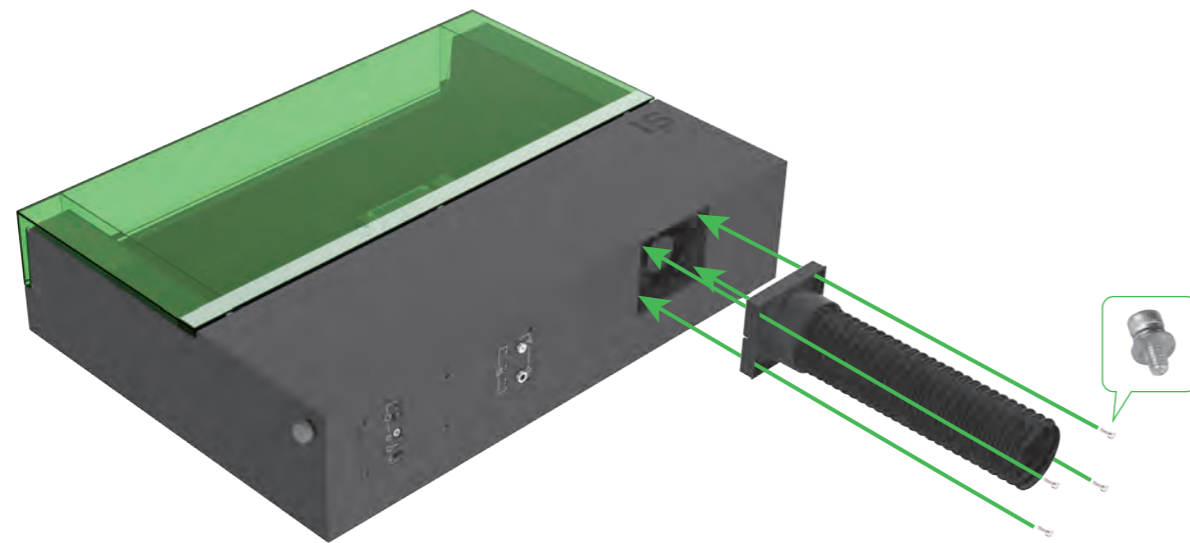
4 Install the smoke exhaust pipe



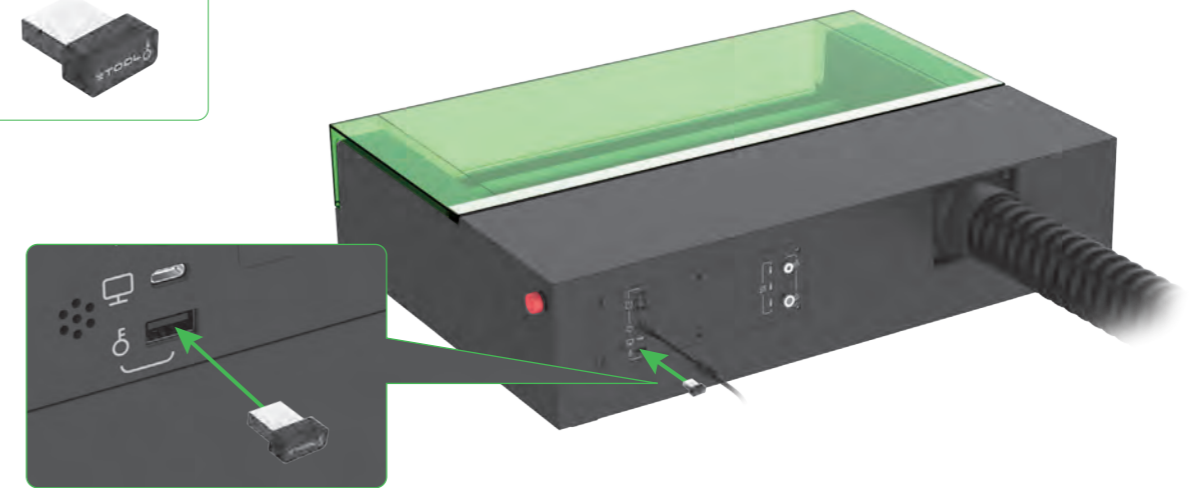
Harmful smoke and fumes may be produced during laser processing. Therefore, you are advised to install the smoke exhaust pipe and connect it to a purifier or inline duct fan or place the outlet outside through a window.



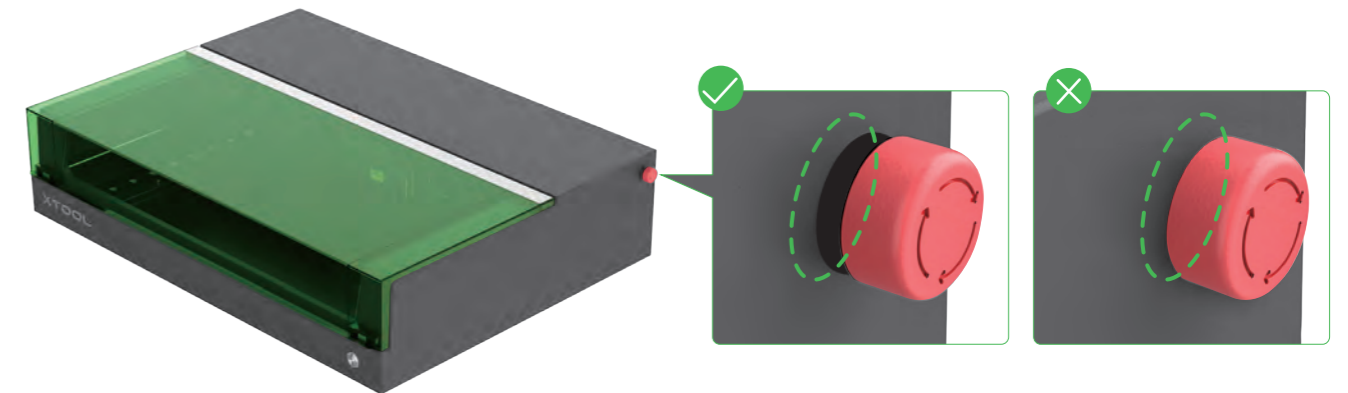
You can put the cover away after removing it. You will not need it any more.



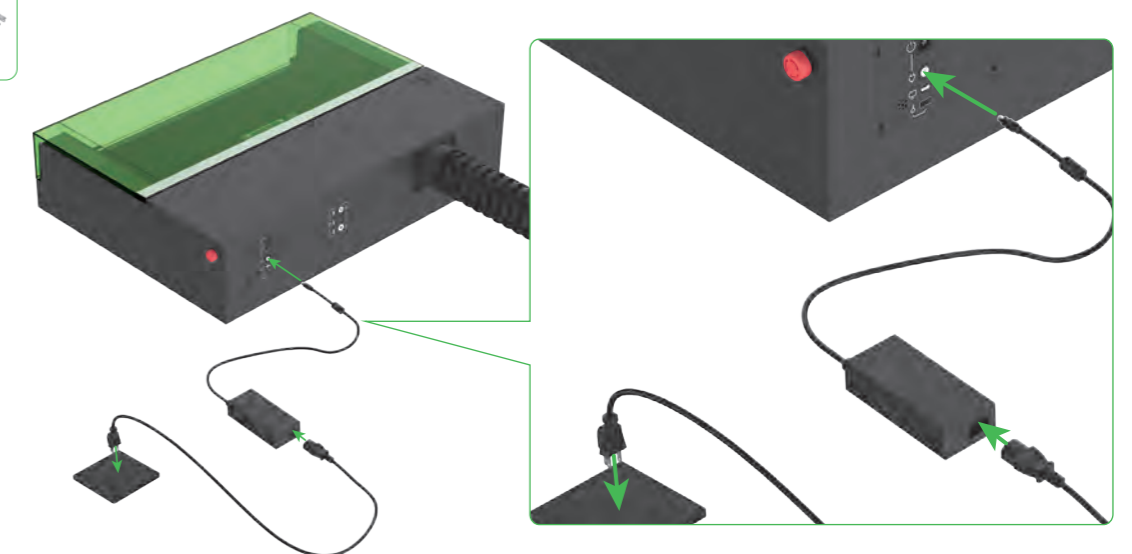
5 Insert the key



6 Check and ensure that the emergency stop switch is not pressed



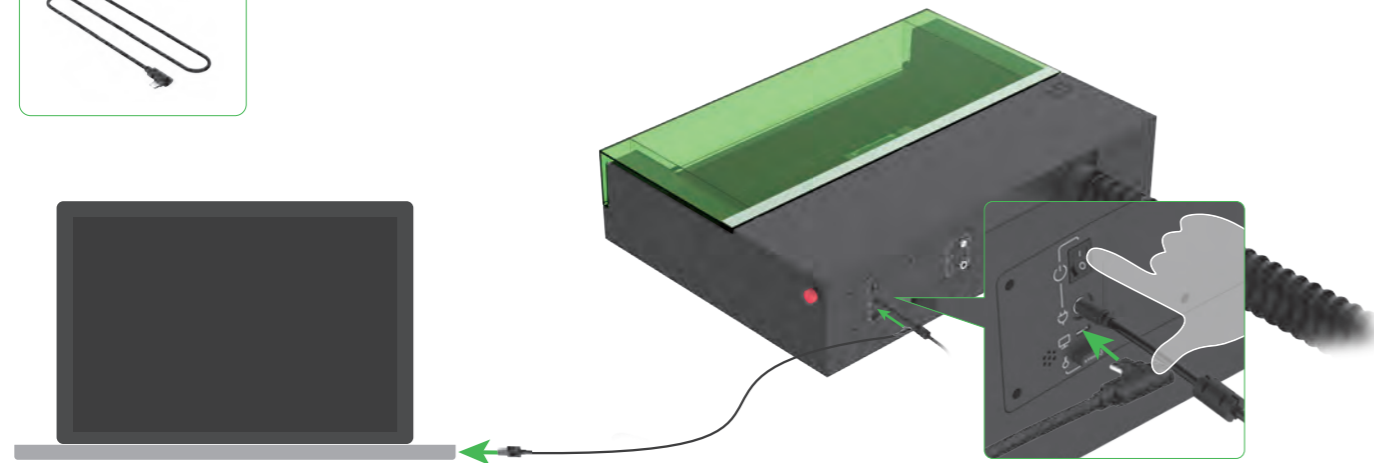
7 Connect to a power supply



Use your xTool S1

For computers

- 1 Connect xTool S1 to a computer and power it on.



- 2 Download and install the free xTool Creative Space (XCS) or the paid third-party software LightBurn.



xTool Creative Space



xtool.com/pages/software



LIGHTBURN
BETTER SOFTWARE FOR LASER CUTTERS



lightburnsoftware.com



For details about how to use the software to operate xTool S1 for material processing, scan the QR code or visit support.xtool.com/product/24.

For mobile devices

Scan the QR code or search for xTool Creative Space in Google Play or App Store, or visit xtool.com/software to download the app and install it.



For details about how to use the software to operate xTool S1 for material processing, scan the QR code or visit support.xtool.com/product/24.

Example projects



support.xtool.com/article/1328

Scan the QR code to find example projects and tutorials. Alternatively, you can visit support.xtool.com/product/24 and go to **Try Some Projects** to view example projects and tutorials.



xTool S1 is delivered with a material pack that allows you to start your creation.



Understand the annular indicator

Buzzer	Annular indicator	Machine state	Button operation	
/	Solid white	Standby	/	
	Blinking purple	Network setting (device disconnected from the software)	Long press to set the network	
	Solid purple	Standby, connected to the software via Wi-Fi	/	
	Blinking white slowly		Starting	/
			Auto focusing	Long press to cancel auto focus
			Measuring curved surface	Long press to cancel curved surface measurement
			Framing	/
	Solid blue		Locating the material	Short press to mark a vertex; long press to cancel material locating
		Blinking green slowly	Performing a task	Short press to pause the processing; long press to cancel the processing
		Blinking purple slowly	Firmware updating	/
((o)) Buzzing for once	Blinking yellow for 3 times	TF card exceptions occur	/	
	Solid blue	Ready for framing	Short press to start framing; long press to cancel framing	
		Ready to work	Short press to start the processing; long press to cancel the processing	
	Blinking blue slowly	Task paused	Short press to continue the processing; long press to cancel the processing	
	Blinking red	Exceptions occur on movement	Short press to stop the warning	
((o)) Buzzing for 3 seconds	Blinking yellow	The lid is not fully closed during operation.	/	
	Blinking yellow	Exceptions occur	Short press to stop the warning	
((o)) Keeping buzzing	Blinking red	Exceptions occur on Wi-Fi communication	/	
	Blinking red	Flame detected	Short press to stop the warning	

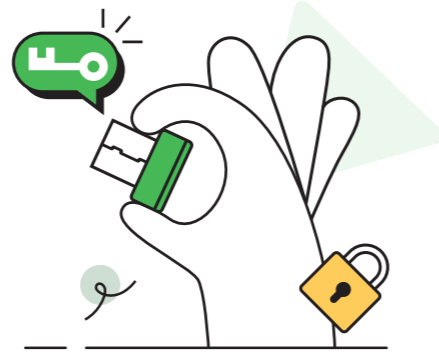
Knowledge about parts and accessories

1 Access-control key

For laser machines, the key is a physical security device used to control processing access. You need to insert it into the machine to unlock the processing and related functions. You can remove it to prevent others from using the machine without your consent.

Cautions

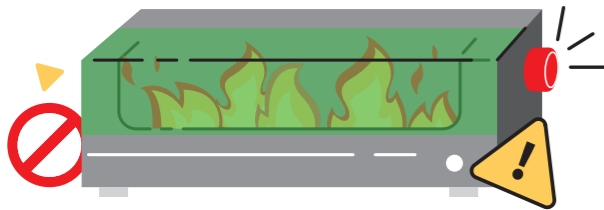
- Keep the key properly. When you don't use the machine, remove the key and keep it in a safe place to avoid loss or theft. Only authorized people can possess and use the key.
- Perform regular checks. Check the status of the key regularly. If it can't be inserted properly, repair or replace it promptly.
- Follow the operation instructions when using a laser machine. Use the key to lock or unlock laser processing functions at the right time.



2 Emergency stop switch

Emergency stop switches are very important safety devices in mechanical machines. An emergency stop switch cuts off the power supply of a machine in an emergency and thus protects the operator and the machine.

Generally, they are red buttons and some of them may be labeled "STOP" to warn operators. They may be in the shape of a mushroom or cylinder, and some of them may come with LEDs to stand out.



How to use

- When an emergency occurs, press the switch down hard for a while to cut off the power supply of the machine.
- After the emergency is over, turn the button clockwise about 45° to release it, and then restart the machine.

3 Exhaust fan

Cleaning the exhaust fan can:

- Maintain the cooling efficiency: Whether the exhaust fan is clean affects its rotation speed and cooling effect. If too much dust and dirt accumulate in the exhaust fan, they will obstruct the airflow and reduce the heat dissipation efficiency, and may even cause the laser to overheat, affecting the proper operation of the machine.
- Maintain system stability: Keeping the exhaust fan clean and working properly helps maintain the stability of the thermal management system in the laser module, preventing the laser module from degradation or malfunctioning due to heat dissipation problems.
- Extend its service life: Keeping the exhaust fan clean prevents it from being damaged too quickly. Dust and dirt may cause the exhaust fan to rotate unevenly, increase wear, and shorten its service life.

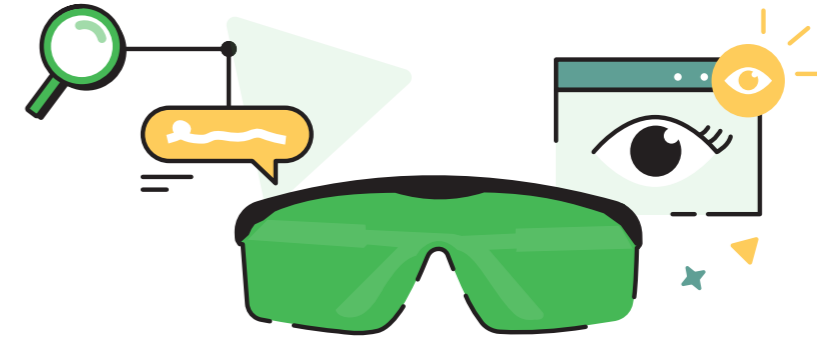


If the exhaustion of smoke slows down during processing, the exhaust fan may have accumulated too much dust. You need to clean it promptly.

Cleaning steps

- 1 Turn off the machine and remove the louver or smoke exhaust pipe from the machine.
- 2 Clean the exhaust fan with a tissue or cotton swab moistened with clean water or alcohol.
- 3 Install the louver or smoke exhaust pipe back to the machine. Otherwise, laser beams may leak out, and your hands may get hurt if touching the fan.

4 Laser safety goggles



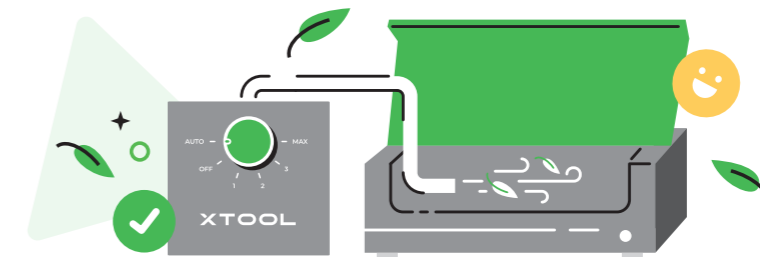
Laser safety goggles are designed to prevent or minimize laser harm to eyes. Laser beams are of high energy. Human eyes are very sensitive to laser beams, especially the retina and other tissues. They can absorb laser beams of various wavelengths. Therefore, the damage threshold of laser beams to eye tissues is much lower than other organs, and the macular region of eyes is particularly sensitive.

With special optical design, laser safety goggles can reflect or absorb laser beams, preventing direct exposure of eyes to laser beams, and thus preventing or minimizing laser harm to eyes.

Note that even with the safety goggles, you should not look directly into laser beams. Looking directly into laser beams may cause irreversible and permanent eye damage.

Some laser machines are equipped with protective enclosures and interlocking devices to meet the standards of Class 1 laser machines, which can be used without the use of safety goggles. For Class 4 laser machines, you need to wear laser safety goggles and follow other safety instructions.

5 Air assist set



An air assist set draws in air and blows it into a laser machine through an air tube. The airflow can be adjusted. Generally, a small airflow is used to clean the processing area and cool the processed material part during laser engraving, and a large airflow is used in laser cutting not only for cleaning and cooling but also for smoke exhaustion and residue blowing.

For better processing results, you are advised to use an air assist set. You can go to [xtool.com](https://www.xtool.com) to purchase one.

■ Cleaning the processing area

When a high-energy-density laser beam falls on a material, smoke, dust, and debris may be generated. The airflow generated by the air assist set can disperse them to keep the processing area clean and thus improve the processing efficiency and processing results.

■ Cooling the processed material part

When a high-energy-density laser beam falls on a material, the temperature of the processed material part rises rapidly. The material may deform, melt, develop cracks, or get scorched. The airflow generated by the air assist set can blow away some of the heat to prevent material damage and thus improve the processing stability, precision, and results.

■ Facilitating smoke exhaustion

Harmful smoke or fumes may be produced during laser cutting of certain materials. The large airflow generated by the air assist set helps to exhaust them from the machine, keeping the workspace safe.

■ Blowing away residues

During laser cutting of thick or hard materials, the large airflow generated by the air assist set can blow away residues in the cutting gap, making the cuts smoother and more precise.

6 Lens protector

Laser processing often produces a large amount of smoke, which may cause the lens protector to get dirty or block the nozzle. If you do not clean the laser module in a timely manner, the laser power may be reduced and the laser module may be damaged.

Maintenance

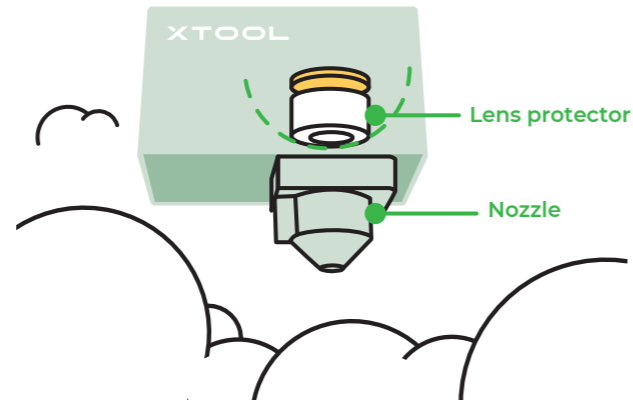
- Avoid scratches. The surface of the lens protector is fragile and may easily get scratched. When installing, replacing, or cleaning the lens protector, be very careful and avoid sharp objects contacting the protector.

- Pay attention to the working environment. Poor environmental conditions may accelerate the aging and damage of the lens protector. Therefore, keep the inside of the machine dry without dust and corrosive gas and ensure that the exhaust fan works properly.

- Check its status regularly. Ensure that the lens protector is installed firmly in place. If it is loose or displaced, adjust and fix it promptly.

- Clean it regularly. The lens protector may accumulate dust, dirt, or other impurities that reduce the laser transmission rate. You need to clean it regularly.

- Replace it regularly. Excess wear may reduce the transmission rate of the lens protector or even cause machine faults. You need to replace it regularly based on the use of the machine and the wear of the lens protector.



Cleaning

Get the following ready: Detergent (alcohol, anhydrous acetone, etc.), cleaning tool (lint-free cloth, specialized wiping swab, etc.)

Steps

- 1 Turn off the machine and remove the laser module from the machine.
- 2 Remove the nozzle from the laser module.
- 3 Clean the lens protector and nozzle in order with a lint-free cloth moistened with alcohol.

Frequency

- 10 W laser module: clean it after every 4 hours of processing
- 20 W laser module: clean it after every 4 hours of processing
- 40 W laser module: clean it after every 1 hour of processing



With the air assist set, you can clean the laser module at a lower frequency.